

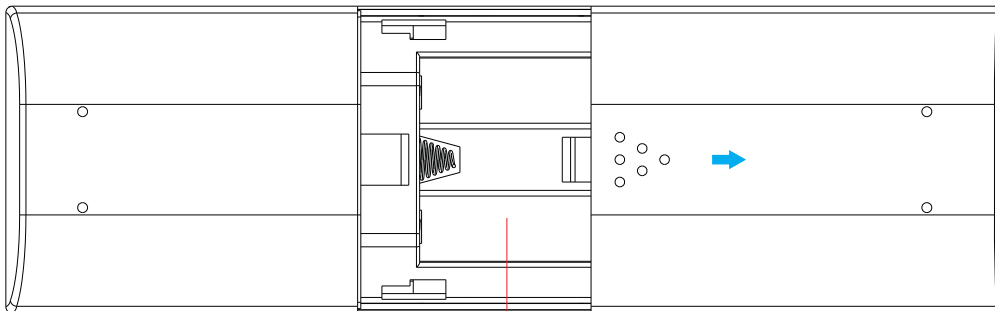
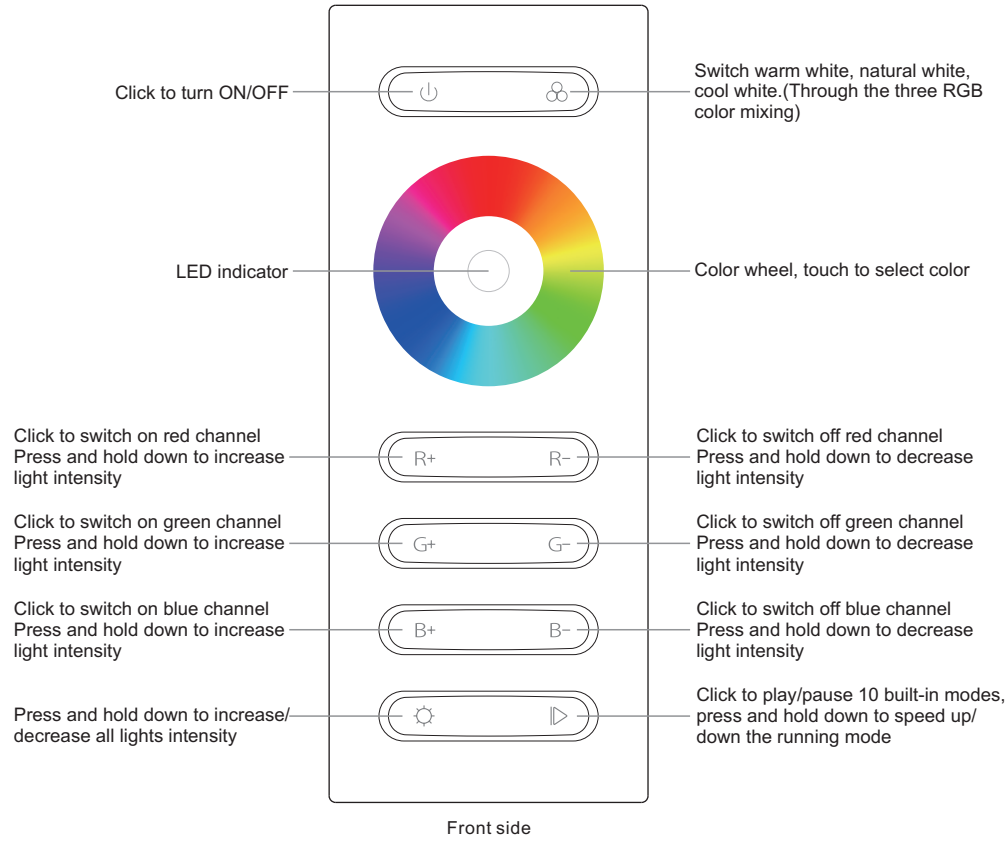
# RF RGB Remote Controller

09.02839.04231



**Important:** Read All Instructions Prior to Installation

## Function introduction



## Product Data

Output	RF signal
Operation Frequency	868/915/434MHz
Power Supply	4.5V(3xAAA battery)
Operating temperature	0-40°C
Relative humidity	8% to 80%
Dimensions	120x48x17.6mm

- Control 1 zone of RF receiver
- RGB color controller
- Compatible with universal serie RF receiver
- 1 receiver can be paired by max 8 different remote controls.
- Waterproof grade: IP20

## Safety & Warnings

- This device contains AAA batteries that shall be stored and disposed properly.
- DO NOT expose the device to moisture.

## Pair with RF receiver



**Step 1:**Do wiring the RF receiver according to wiring diagram(please refer to the instruction of RF receiver that you would like to pair with.



**Step 2:**Click the "RF Code Key" button on RF receiver to set it into pairing status

**Step 3:**Touch the color wheel, LED lights connected with the RF receiver flicker once means the receiver is paired with the remote successfully.

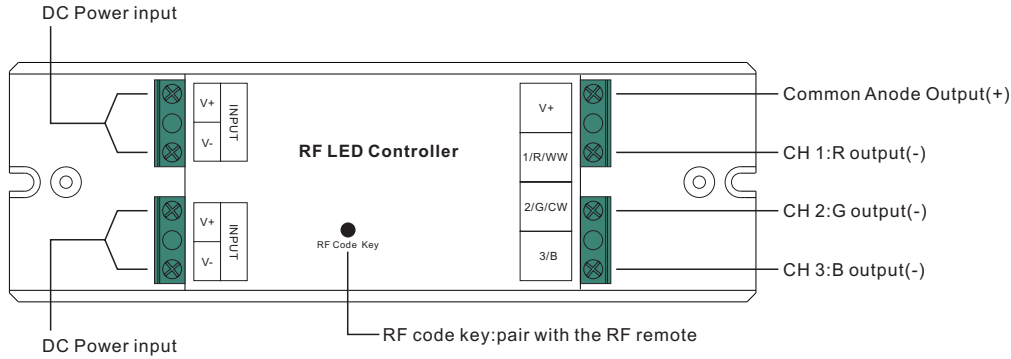
**Note:** one receiver can be paired with max 8 remote controls.

# RF Receiver



**Important:** Read All Instructions Prior to Installation

## Function introduction



## Product Data

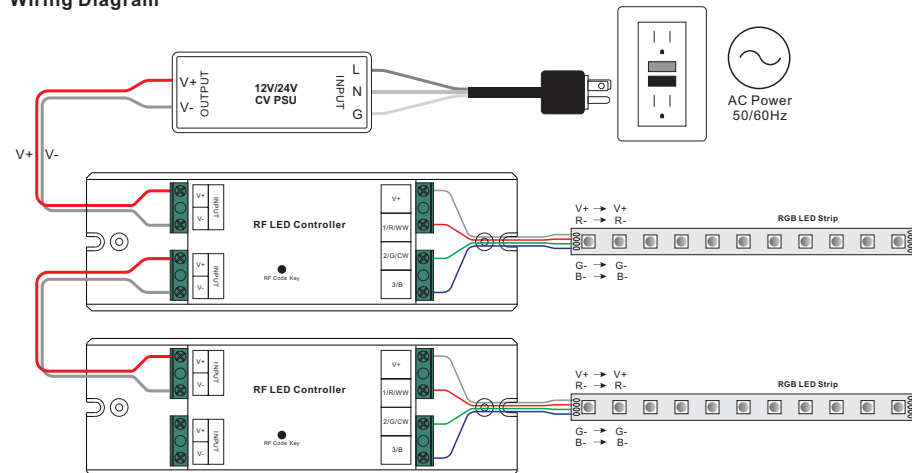
Input Voltage	Output Current	Output Power	Remarks	Size(LxWxH)
12-24VDC	3x5A	3x(60-120)W	Constant voltage	145x46.5x16mm

- Radio Frequency : 868mhz
- Waterproof grade: IP20

## Safety & Warnings

- DO NOT install with power applied to device.
- DO NOT expose the device to moisture.

## Wiring Diagram



## Pair/delete the pairing with RF remote

1. Do wiring according to connection diagram.
2. Pair RF Receiver with RF remote: please refer to the instruction of the remote that you would like to pair with.
3. Delete the pairing:
  - (1) Wire up the RF receiver correctly, power on.
  - (2) Press and hold down the “ **RF Code Key** ” button on receiver for over 3 seconds until the connected light flashes, which means well deleted.